

SURFACE MOUNT / FULLY CONCEALED ADJUSTABLE DOOR STRAIGHTENERS



Door Adjusters are needed to avoid bending on both sliding and swinging doors. Until now these have only been available in a semi-recessed option, which brings the general appearance of your furniture down - something that all premium joinery must avoid!

This allows you to fully conceal the straightener bar by morticing it into the door, covering it with a cap then veneering over it to give a seamless finish. All adjustments are done from either the top or bottom of the door via an allen key.

The strength of the door adjuster is always indicated on the side of the data sheet but it depends on the thickness and the material of the door. A trial application is always recommended.

FULLY CONCEALED ADJUSTABLE DOOR STRAIGHTENERS FOR DOORS FROM 12MM THICK

CODE	DESCRIPTION
ADS06150	Adjustable Door Straightener 1500mm - Surface Mount/Fully Recessed
ADS06190	Adjustable Door Straightener 1900mm - Surface Mount/Fully Recessed
ADS06230	Adjustable Door Straightener 2300mm - Surface Mount/Fully Recessed
ADS06261	Adjustable Door Straightener 2610mm - Surface Mount/Fully Recessed

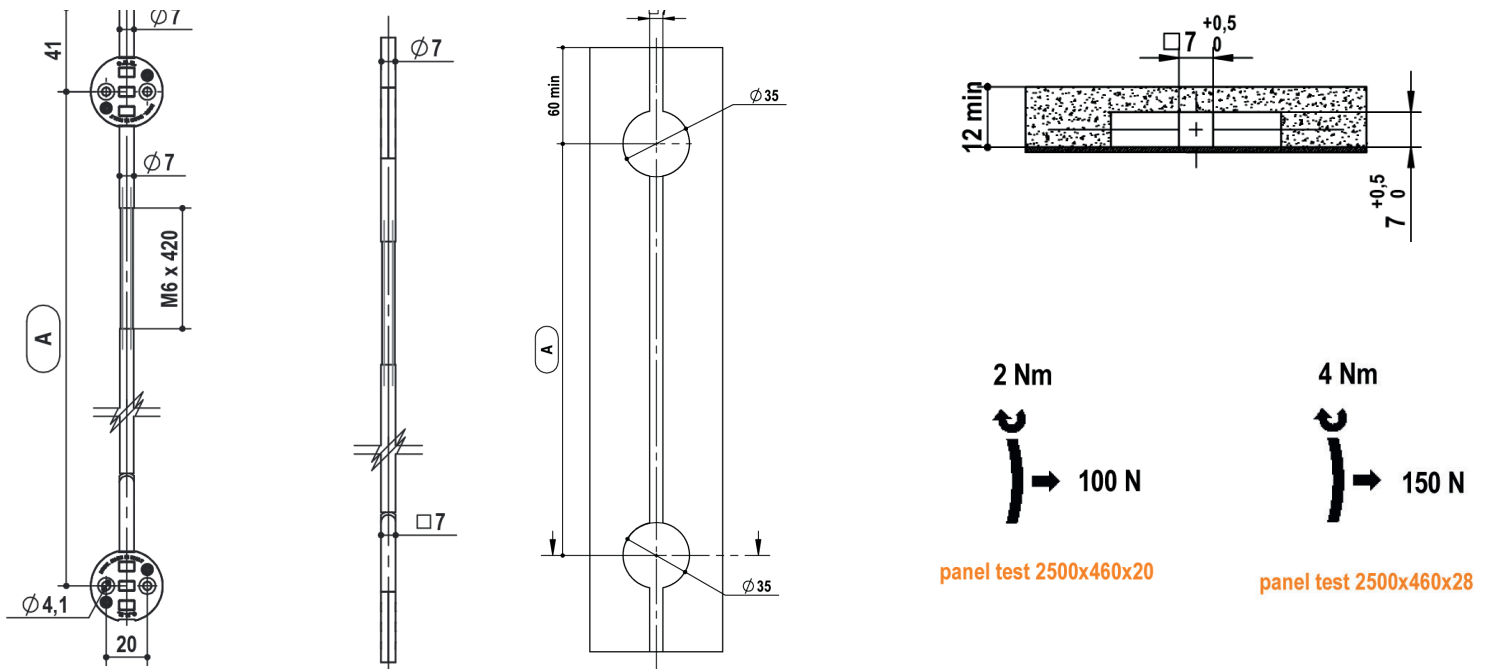
01626 333900
swshardware.com
info@swshardware.com
HARDWARE FOR PREMIUM INTERIORS



SWS
HARDWARE

All prices exclude VAT

ADJUSTABLE DOOR STRAIGHTENERS

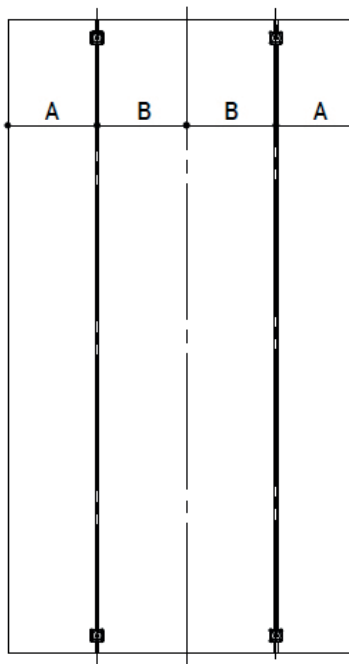


BAR POSITIONING

Flat Doors

When positioning straighteners, divide the door in half, then set the straighteners in the center of each half.

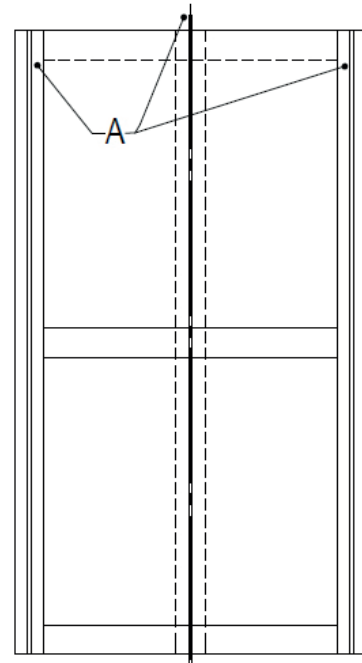
Door straighteners must be located with the same 'A' and 'B' values. If the door is over 1200mm wide a 3rd doorstraightener in the center of the door is recommended.



Framed Doors

When positioning straighteners, set them in the structural frame position 'A'.

If the door is over 1200mm wide a 3rd door straightener in the center of the door is recommended.



01626 333900
 swshardware.com
 info@swshardware.com

HARDWARE FOR PREMIUM INTERIORS



SWS
 HARDWARE

All prices exclude VAT

ADJUSTABLE DOOR STRAIGHTENERS

BAR DIMENSIONS

ADS06150

Shortest Distance 1100mm c/c Longest Distance 1500mm c/c

ADS06190

Shortest Distance 1500mm c/c Longest Distance 1900mm c/c

ADS06230

Shortest Distance 1900mm c/c Longest Distance 2300mm c/c

ADS06261

Shortest Distance 2210mm c/c Longest Distance 2610mm c/c Longer lengths would be possible using M6 threaded bar.

TIP: ENSURE THE STRAIGHTENER IS OFFSET WITHIN THE THICKNESS OF THE PANEL FOR BEST RESULTS.

FULLY RECESSED CUTTING & ASSEMBLY PROCEDURE

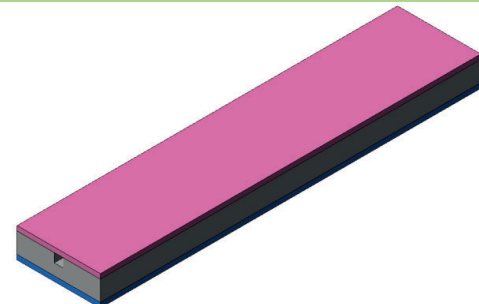
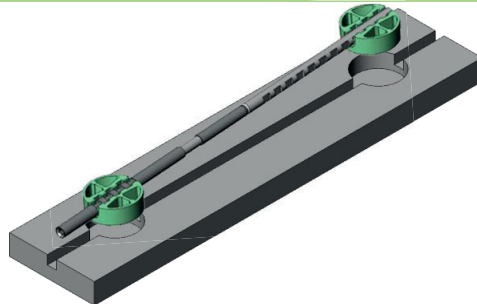
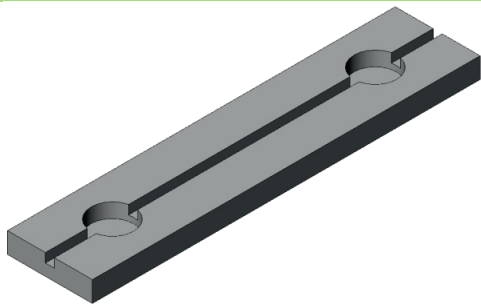
Use a Ø35mm cutter for the top and bottom boss. Make a groove 7.5 mm wide, by 7mm deep (plus an allowance for capping if required).

Continue this groove to the end of the panel, at the end you want to make the adjustments.

Place the door straightener into the rebate. There is 10mm of adjustment available, we recommend that you set the thread to half way before fitting.

Up to 420mm can be trimmed from the original length.

Finalise the panel, all adjustments are made via a allen key.



01626 333900
swshardware.com
info@swshardware.com

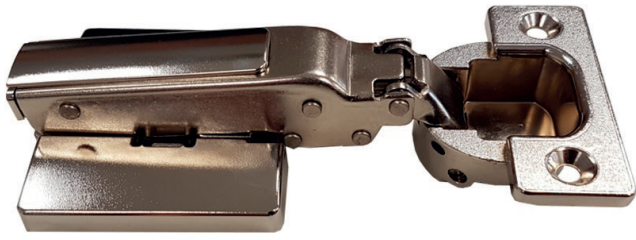
HARDWARE FOR PREMIUM INTERIORS



SWS
HARDWARE

All prices exclude VAT

HEAVY DUTY CONCEALED HINGES



**DOORS UP TO 900MM
& 40KG IN WEIGHT
USING JUST 3 HINGES!**

DETAILS AT A GLANCE

- A concealed hinge for larger doors with a significantly increased load bearing capacity.
- Ideal for wardrobe doors up to 800mm wide and weighing up to 25kgs with just two hinges, and up to 900mm wide and weighing 40kgs with 3 hinges.
- Mounts into a 40mm hole.
- Only two hinges needed for 25kg door.
- Only three hinges needed for 40kg door.
- 3 Way Adjustment function by mounting plate (depth + 1.5mm / -2.5mm, vertical +/- 3.0mm, horizontal (overlay) + 0mm / -4.0mm).
- Snap on Mounting.

Find out more about these hinges online at [swshardware.com/categories/heavy-duty-hinges](https://www.swshardware.com/categories/heavy-duty-hinges)

01626 333900
swshardware.com
info@swshardware.com

HARDWARE FOR PREMIUM INTERIORS



SWS
HARDWARE

All prices exclude VAT